



A Tallysman *Accutenna*™ TW2106/TW2108 Embedded Precision GPS L1 Antenna

The TW2106 is electronically identical to the TW2105. The TW2106 has a larger PCB with drilled holes for a more secure method of attaching the antenna

The TW2106 employs Tallysman's unique *Accutenna*™ technology in an embedded GPS L1 antenna, specially designed for industrial, agricultural and military precision positioning and timing applications.

The TW2106 features a custom high performance, dual-feed, wide band patch element. Its LNA configuration provides a LNA for each feed, a mid section high rejection SAW for the combined signal, followed by a final stage of LNA. It provides ± 10 MHz bandwidth centred on 1575.42 MHz and covers all GPS L1, and SBAS (WAAS/EGNOS/MSAS) signals. It features great axial ratio over the entire frequency range (<3dB), excellent circular polarized signal reception, great multipath rejection and out-of-band signal rejection.

The TW2108 has a pre-filter to provide strong protection from near frequencies.

Applications

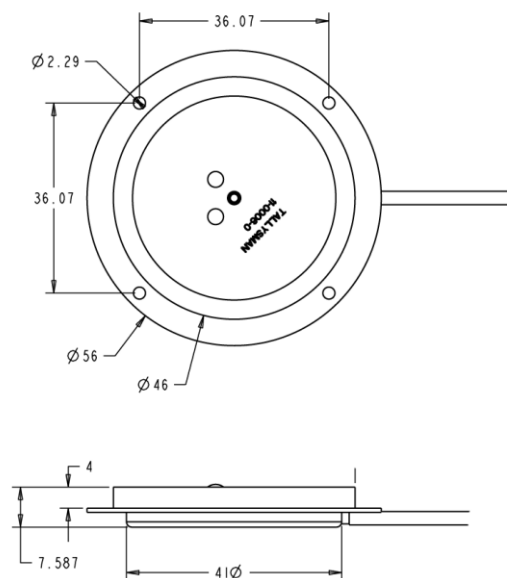
- High Accuracy & Mission Critical GPS
- Precision Agriculture, Mining & Construction
- Military & Security
- Avionics
- Law Enforcement & Public Safety
- Fleet Management & Asset Tracking

Features

- Great axial ratio: <3 dB over full bandwidth
- Low noise LNA: 1 dB
- High rejection SAW filter
- High gain: 28 dB typ.
- Low current: 15 mA typ.
- ESD circuit protection: 15 KV
- Wide voltage input range: +2.5 to 16 VDC
- Small form factor



TW2106 Dimensions (mm)



Benefits

- Excellent multipath rejection
- Increase system accuracy
- Excellent signal reception
- Great out of band signal rejection
- RoHS compliant



TW2106/ TW2108 Embedded Precision GPS L1 Antenna

Specifications Vcc = 3V, over full bandwidth, T=25°C

Antenna

Architecture	Dual, Quadrature Feeds
Antenna Gain (100mm ground plane)	4.25 dBic
Axial Ratio (over full bandwidth)	≤3 dB

Electrical

Architecture	One LNA per feed line, mid section SAW filter, output LNA
Frequency Bandwidth	1575 MHz ± 10 MHz
Polarization	RHCP
Gain	28 dB min. at 90° (at 1575.42 MHz)
Out-of-Band Rejection	<1560 MHz >42 dB >1600 MHz >31 dB >1620 MHz >45 dB
VSWR (at LNA input)	<1.5:1
Noise Figure	1 dB typ.
Supply Voltage Range	+2.5 to 16 VDC nominal (12VDC recommended maximum)
Supply Current	15 mA typ at 25°C.
ESD Circuit Protection	15 KV air discharge

Mechanicals & Environmental

Mechanical Size	56 mm dia. x 7.8 mm H
Cable	RG174
Operating Temp. Range	-40 to +85 °C
Weight	100 g
Attachment Method	Adhesive or screw mount
Environmental	RoHS compliant
Shock	Vertical axis: 50 G, other axes: 30 G
Vibration	3 axis, sweep = 15 min, 10 to 200 Hz sweep: 3 G
Warranty	One year – parts and labour

Ordering Information

TW2106 – GPS L1 antenna	33-2106-xx-yyyy-zz
TW2108 – GPS L1 antenna	33-2108-xx-yyyy-zz

Where xx = connector type and yyyy = cable length in mm

Please refer to the Ordering Guide (<http://www.tallysman.com/wp-content/uploads/Current-Ordering-Guide.pdf>) for the current and complete list of available connectors.

Tallysman Wireless Inc

106 Schneider Road, Unit 3
Ottawa ON K2K 1Y2 Canada Tel 613 591 3131 Fax 613 591 3121
sales@tallysman.com

The information provided herein is intended as a guide only and is subject to change without notice. This document is not to be regarded as a