


2.4GHz External Antenna

Product Number: AT2.4G-13210-5.0BT

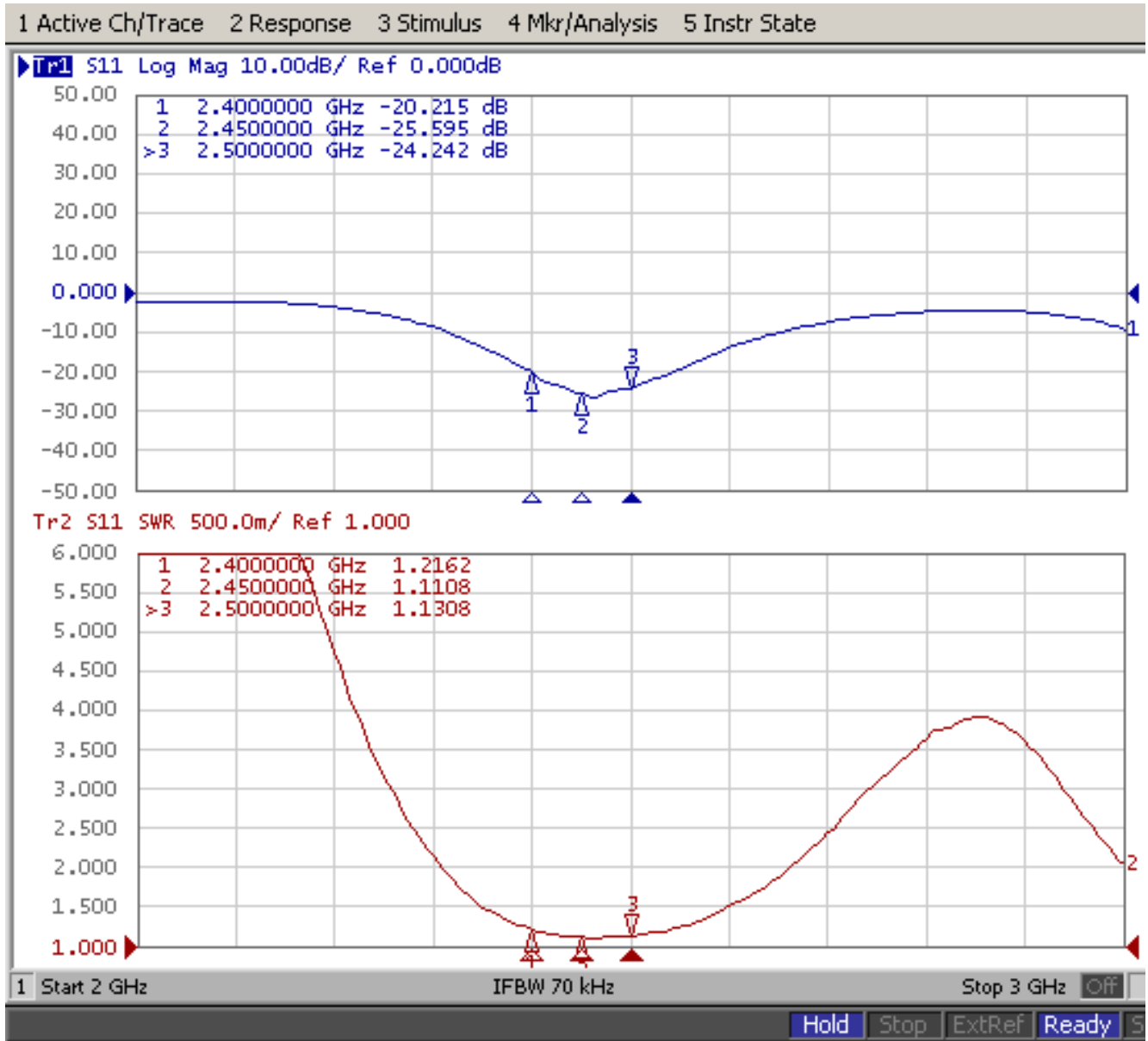
1. Specification

Sample Photo	
	
A. Electrical Characteristics	
Frequency	2400 ~ 2500 MHz
S.W.R.	≤ 2.0
Antenna Gain	5.0dBi
Polarization	Linear
Impedance	50 Ohm
B. Material & Mechanical Characteristics	
Material of Radiator	CU
Material of Plastic	Body: TPE Hinge: ABS Holder: ABS
Cable Type	RG-178
Connector Type	SMA Male Reverse
Connector Pull Test	≥ 5 Kg
Connector Torque Test	300 ~ 1000 g.cm
C. Environmental	
Operation Temperature	- 40 °C ~ + 85 °C
Storage Temperature	- 40 °C ~ + 85 °C

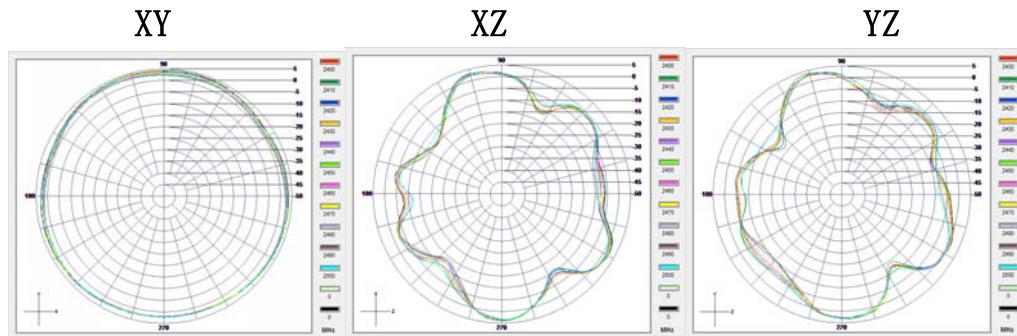
2. Characteristics and Reliability Test

Test Items		Test Condition and Procedure	Requirements
C1	S.W.R.	Set DUT on Network Analyzer; make individual calibration to test	Directive DUT specification
C2	Antenna Gain	Set DUT on Antenna Chamber; make individual calibration to test	Directive DUT specification
M1	Vibration	MIL-STD-202G, 201A Amplitude: 0.03 inch (0.76mm); Freq: 10 to 55 Hz 3 directions; 2 hours for each direction	1. No Visual Damage 2. Frequency Tol.<= 5%
M2	Random Drop	Height: 1.5 Meter; 3 directions; 1 time for each direction	1. No parts separated 2. Frequency Tol.<= 5%
M3	Solderability	MIL-STD-202G, 210F, cond. A Solder iron: 350±10°C; Duration: 5 seconds	1. Mounted on PCB 2. No Visual Damage
M4	Terminal-Pull Test	MIL-STD-202G, 211A, cond. A Holding with individual specification; force applied to axis of terminal	1. Directive DUT specification 2. Frequency Tol.<= 5%
M5	Terminal-Torque Test	MIL-STD-202G, 211A, cond. E Holding with individual specification; applied clockwise and counterclockwise to the axis of terminal	1. Directive DUT specification 2. Frequency Tol.<= 5%
M6	Dimension	Inspection of dimension, color, material, package, surface process	Directive DUT specification
E1	Salt Spray	MIL-STD-202G, 101E, cond. B Temp: 35°C; RH: >= 95%; NaCl solution: >= 5%; Time: 48 hours	After 2 Hours Recovery 1. No Visual Damage 2. Frequency Tol.<= 5%
E2	Humidity	MIL-STD-202G, 103B, cond. B Temp: 40°C; RH: >= 95%; Time: 48 hours	After 2 Hours Recovery 1. No Visual Damage 2. Frequency Tol.<= 5%
E3	Thermal Shock	1 Cycle: - 40°C (30 minutes) to + 80°C (30 minutes) Cycles: 24	After 2 Hours Recovery 1. No Visual Damage 2. Frequency Tol.<= 5%
E4	Life (High Temp.)	MIL-STD-202G, 108A, cond. A Temp: 85°C; Time: 96 hours	After 2 Hours Recovery 1. No Visual Damage 2. Frequency Tol.<= 5%
R1	RoHS	With Reference to IEC 62321:2008 with flow chart	Directive RoHS 2002/95/EC
R2	PFOS	With Reference to USA EPA 3540C:1996 by LC/MS	Directive RoHS 2006/122/EC
R3	PFOA	With Reference to USA EPA 3540C:1996 by LC/MS	Directive RoHS 2006/122/EC

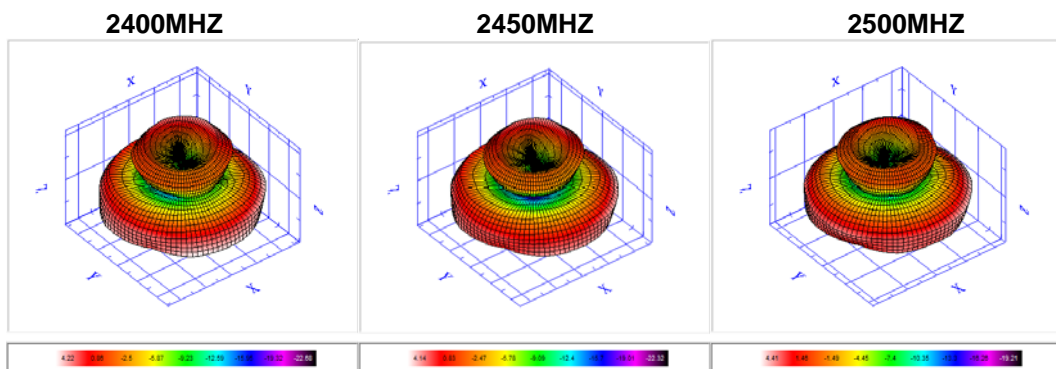
3. Antenna - S Parameter Test Data



4. Antenna - Radiation Pattern Test Data



Frequency	2400	2450	2500
TRP (dBm)	-0.85	-1.03	-0.71
Peak EIRP (dBm)	4.22	4.14	4.41
NHPRP +/- 45 (degree)	-1.46	-1.69	-1.28
NHPRP +/- 30 (degree)	-2.02	-2.3	-1.99
E-Theta Peak Gain (dBi)	-10.67	-9.48	-11.57
E-Phi Peak Gain (dBi)	4.2	4.14	4.41
E-Total Peak Gain (dBi)	4.22	4.14	4.41
Directivity (dBi)	5.07	5.17	5.12
Efficiency (%)	82.22	78.85	84.93



5. Mechanical Drawing

