



FS4000AC

The FS4000AC is based upon the Qualcomm Scorpion (QCA9558) and Peregrine (QCA9892) chipset solutions and targets last mile and medium distance wireless applications.

The FS4000AC supports Abicom's proprietary bridge, access point and TDMA firmware and open source OpenWRT/LEDE firmware. Abicom can also provide the necessary technical documentation to enable customers to port custom solutions onto the FS4000AC.

Abicom's proprietary TDMA firmware enables long distance solutions to overcome the challenges of "hidden-node" deployments while maintaining the optimum balance between throughput and distance for each node.

Enhanced features include, DFS selection in all required bands, 5, 10, 20, 40 and 80MHz channelisation, cyclic-delay diversity (CDD), low density parity check (LDPC), maximal ratio combining (MRC), Space Time Block Code (STBC), TX Beamforming (TxBF) and 8 bit spectral analysis resolution.

Applications

- 802.11ac Access Point
- Multipoint Wireless Bridge
- Last mile access
- Rural Broadband
- Fibre Replacement
- Wireless CPE
- Wireless CCTV
- Industrial Automation and Control

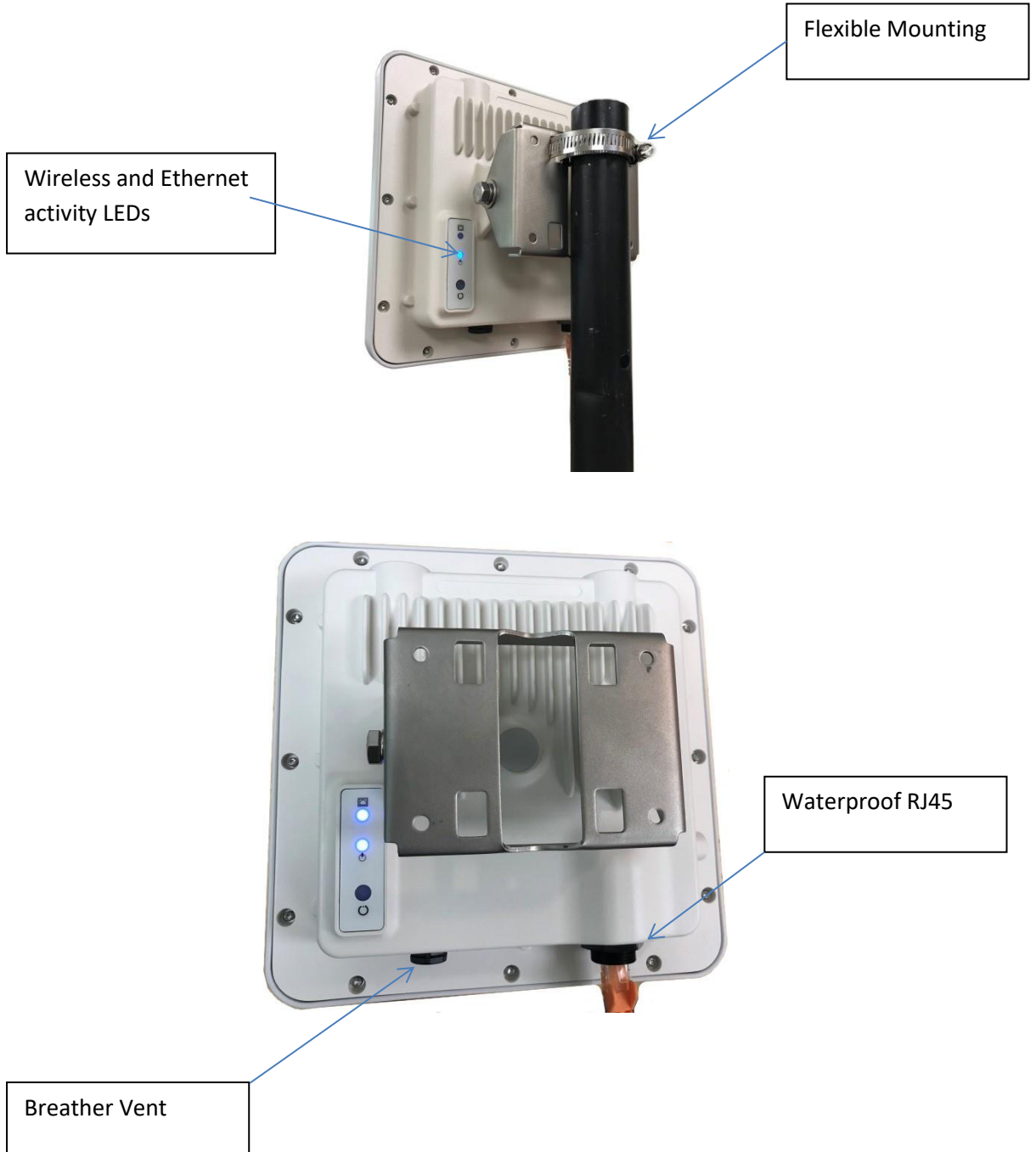
Features

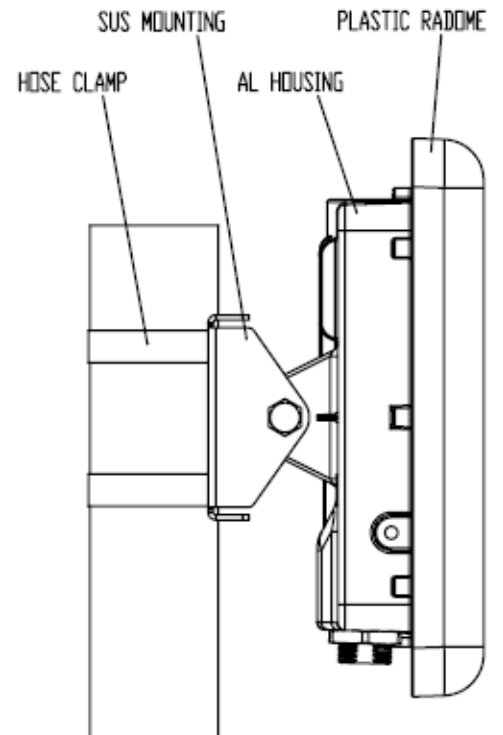
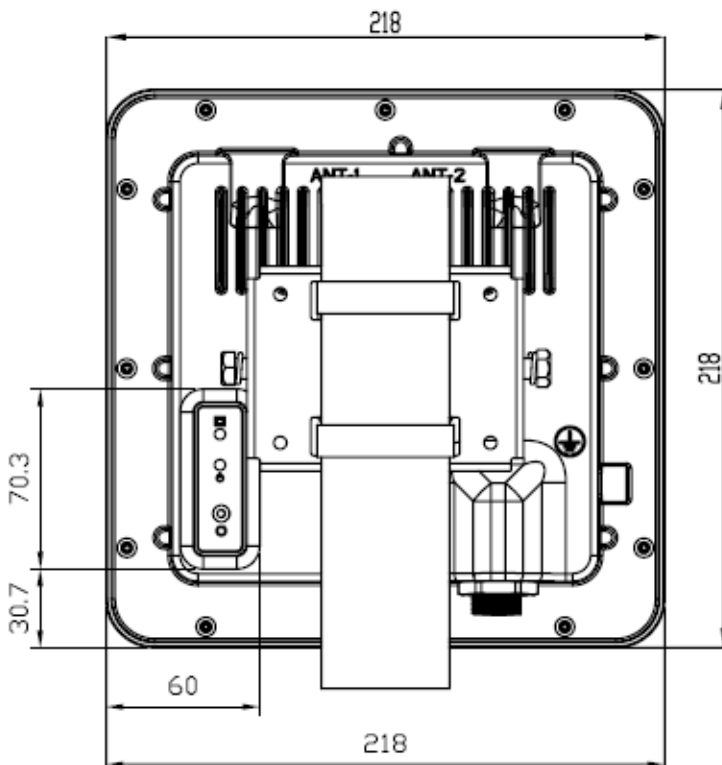
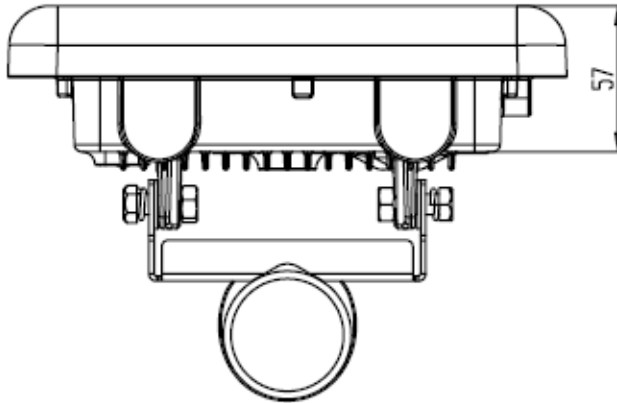
- Up to 600 Mbit/sec User throughput
- 2x2 16dBi Antenna
- Pole or wall mounted
- Enterprise Level 802.11ac 2x2 RF
- 802.11ac/a/an compliant
- 5GHz 26dBm output power
- POE+
- TDMA (Time Division Multiple Access) firmware available
- Gigabit Ethernet
- Qualcomm MIPS 720MHZ CPU

| Interface | |
|------------------------------------|--------------------------------------------------------------------------------------------------------------|
| Ethernet interface | 1 Gigabit x RJ45 LAN port |
| Antenna | 2x2 16dBi 4.9-5.875GHZ |
| Power | 802.3at, POE+ |
| Hardware | |
| Processor | Qualcomm Atheros QCA9550 |
| Flash memory | 16MB SPI + 256MB NAND |
| SDRAM | 256MB |
| Gigabit Ethernet Controller | Qualcomm Atheros 8031 |
| Functionality | |
| Security | Encryption: WEP, WPA, WPA2-PSK, WPA2-Enterprise with 802.1X TKIP and AES encryption VLAN tagging (802.1q) |
| Wireless Distribution System (WDS) | AP+WDS, Station+WDS |
| IEEE 802.1x Support | MAC Filtering (EAP or EAPOL) |
| Standard Compliant Bursting | Draft 802.11e QoS Support |
| Dynamic Frequency Selection (DFS) | Draft 802.11h, i Support |
| Software Features | |
| Command Line Interface | Telnet, SSH |
| WEB Interface | Simple, easy to use web interface. Supporting Chrome & Firefox |
| Network Management | SNMP V2,V3, LLDP |
| Network Monitoring | WifiMonitor Support |
| Security | Wireless MAC filtering, 128 Bit WPA/WPA2 encryption |
| Firmware updates | Web based firmware update procedure, supporting over the air updates. |
| Frequency | |
| Tuning Range 802.11ac/an 802.11gn | 4.9GHz-6GHz .4GHz-2.5GHz |

| Transmit Power (dBm) | | | | |
|---------------------------|-----------------------------------------------|-------------------------------------------------|--------------------------|-------|
| Operating Mode | Data Rate (Mbps) | Min | Typ | Max |
| 802.11ac | 400Mbps | 22dBm | 23dBm | 24dBm |
| 802.11ac - 2 stream | 866Mbps | 24dBm | 26dBm | 27dBm |
| 802.11an | 150Mbps | 22dBm | 23dBm | 24dBm |
| 802.11an - 2 stream | 300Mbps | 25dBm | 26dBm | 27dBm |
| Receive Sensitivity (dBm) | | | | |
| Operating Mode | Data Rate (Mbps) | Min | Typ | Max |
| 802.11ac | VHT-MCS0 HT80 2x2 VHT-MCS23 HT80 2x2 | | -87 -62 | |
| 802.11an | 6 54 MCS0 2x2 MCS23 2x2 | | -94 -81 -92 -70 | |
| Frequency | | | | |
| Tuning range | | 4.9GHz – 5.875GHZ | | |
| Power Supply | | | | |
| Parameter | Condition | Min | Typ | Max |
| Voltage Range | POE+ Input | -48V | -57V | -60V |
| Environmental | | | | |
| Operating temperature | | -20°C to 50°C | | |
| Storage temperature | | -65°C to 150°C | | |
| Port protection | | IEC 61000-4-2 IEC 61000-4-4 IEC 61000-4-5 | | |

FS4000AC Features





Ordering Information

| OEM Board Solution | | |
|--------------------|---------|------------------------------------------------|
| SC1750L | 866Mbps | 2x2 802.11AC AP/Bridge with 23dBm Output Power |
| Enclosure Options | | |
| FS4000AC | 866Mbps | 16dBi 2x2 Outdoor enclosure |