

## USB Hi-Speed Switch with Fault Protection

### Features

- Operating Range: 2.7V to 5.5V
- USB Hi-Speed Dual SPDT Switch
- >1GHz -3db Bandwidth
- Low 3.8Ω Switch On-Resistance
- Typical 2.0pF Switch On-Capacitance
- Overvoltage Protection Up to +20V
- Surge Protection Up to +25V
- FLAG open drain output overvoltage indicator
- EN to disable switch output
- WLCSP34-12 package (1.17mm x 1.57mm)
- -40°C to +85°C Temperature Range

### Applications

- Smartphones
- USB Type-C
- Mobile Internet Devices
- Tablet Computers
- Peripherals

### Brief Description

The KTU1000 is a Hi-Speed USB dual SPDT (single-pole/double-throw) switch with overvoltage protection. This device operates over a 2.7V to 5.5V input supply range with over voltage fault protection up to 20V. USB Type-C features high voltage charging where the KTU1000 protects USB data lines from short circuit and surge events that can permanently damage the mobile system. The device features independent control bits for each switch pair and an on/off enable (EN) for shutdown mode. Additional features include low switch on resistance and capacitance along with a fault flag (FLAG) to alert the system processor to overvoltage fault events.

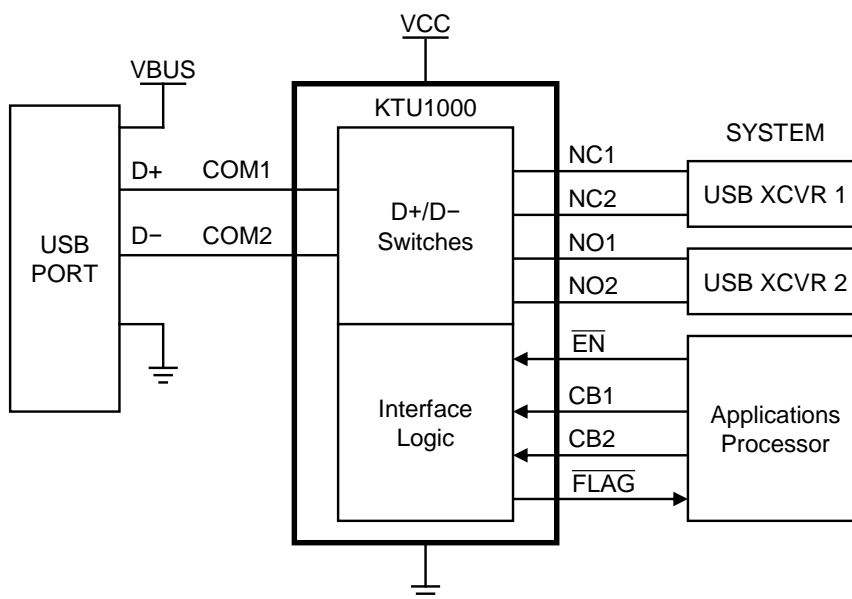
The KTU1000 has low power consumption and is available in an ultra-small 12-Bump 1.17mm x 1.57mm WLCSP package making it an ideal solution for USB interface switching and protection in mobile applications.

### Ordering Information

Part Number	Marking <sup>1</sup>	Operating Temperature	Package
KTU1000EUX-TR	KYXXYYZZZZ	-40°C to +85°C	WLCSP-12

1. "XXYYZZZZ" is the date code, assembly code and serial number.

### Typical Application





Kinetic Technologies cannot assume responsibility for use of any circuitry other than circuitry entirely embodied in a Kinetic Technologies product. No intellectual property or circuit patent licenses are implied. Kinetic Technologies reserves the right to change the circuitry and specifications without notice at any time.