

Wireless/Wi-Fi and Bluetooth Module

WFBTCSM2

802.11ac/a/b/g/n Dual Band 2T2R

WiFi+ BT 4.1 Combo M.2 Module



WiFi +Bluetooth Combo Solution M.2 Module

WFBTCSM2 is an 802.11ac/a/b/g/n Dual-Band WiFi + bluetooth M.2 card based on Qualcomm Atheros QCA6174A chipset. It is Dual-Band AC on 2.4 and 5GHz and incorporates the latest Bluetooth 4.1. The slot type is M.2 2230. The download speed are 300Mbps on N networks and 867Mbps on AC network.

Adopting the latest 802.11ac solution. WFBTCSM2 is ideal for next-generation high throughput enterprise networking solution. Incorporated with advanced security encryption, such as WEP, WPA, WPA2, WPS, and 802.1x, it helps prevent user's devices from malicious attacks.

Key Features :

- Qualcomm Atheros QCA6174A-5
- BT transmission speed including 1M, 2M and 3Mbps EDR operations
- Supports for Simple Pairing (SP) and Enhanced Inquiry Response (EIR) function
- HCI USB interface to work with Windows upper layer stack
- Support MU-MIMO
- Wi-Fi Supports Low Power PCIe (w/ L1 substate) interfaces
- Two-stream spatial multiplexing up to 867Mbps data rate

Applications :

Applications include medical devices, security systems, point of sale, digital signs, set-top/net-top box, embedded / tablet PC's, handheld devices, thin client devices, gaming machine, notebook computer, etc.

Wireless/Wi-Fi and Bluetooth Module

Specification

Standards:	IEEE802.11ac/a/b/g/n, Bluetooth V4.1,V4.0 LE, V3.0+HS, V2.1+EDR
Chipset:	Qualcomm Atheros QCA6174A-5
Data Rate:	802.11b: 11Mbps / 802.11a/g: 54Mbps / 802.11n: MCS0 ~ 15/ 802.11ac: MCS0 ~ 9 BT: 1 Mbps, 2Mbps and Up to 3Mbps
Operating Frequency:	IEEE 802.11 ac/a/b/g/n ISM Band, 2.412GHz ~ 2.484GHz, 5.150MHz ~ 5.850MHz *Subject to local regulations
Interface:	WiFi: PCI Express BT: USB 2.0
Form Factor:	M.2 2230
Antenna:	2T2R (Support WiFi/BT co-existence) IPEX MHF4 connector
Modulation:	802.11b: DSSS (DBPSK, DQPSK, CCK) 802.11a/g: OFDM (BPSK, QPSK, 16-QAM, 64-QAM) 802.11n: OFDM (BPSK, QPSK, 16-QAM, 64-QAM) 802.11ac: OFDM (BPSK, QPSK, 16-QAM, 64-QAM, 256-QAM)
Power consumption	TX: 405mA RX: 200mA
Operating Voltage:	DC 3.3V
Temperature Range:	0°~+70°C (Operating) / -40°~+80°C (Storing)
Humidity (Non-Condensing)	Operating Humidity (non-condensing): 5% ~ 90% Storage Humidity (non-condensing): 5% ~ 90%
Dimension (in mm):	22 mm X 30 mm x 2.0 mm
Weight (g):	≤ 2.5g
Driver Support:	Win7/Win8.1//Win10
Security	WEP / WPA / WPA2,802.1X

Wireless/Wi-Fi and Bluetooth Module

OUTPUT POWER & SENSITIVITY

802.11b		
Data Rate	Tx \pm 2dBm	Rx Sensitivity
11Mbps	19dBm	\leq -81dBm

802.11g		
Data Rate	Tx \pm 2dBm	Rx Sensitivity
54Mbps	16dBm	\leq -66dBm

802.11n / 2.4GHz				
HT20	Data Rate	Tx \pm 2dBm (1TX)	Tx \pm 2dBm (2TX)	Rx Sensitivity
MCS7	16dBm	19dBm		\leq - 65dBm
HT40	MCS7	15dBm	18dBm	\leq - 61dBm

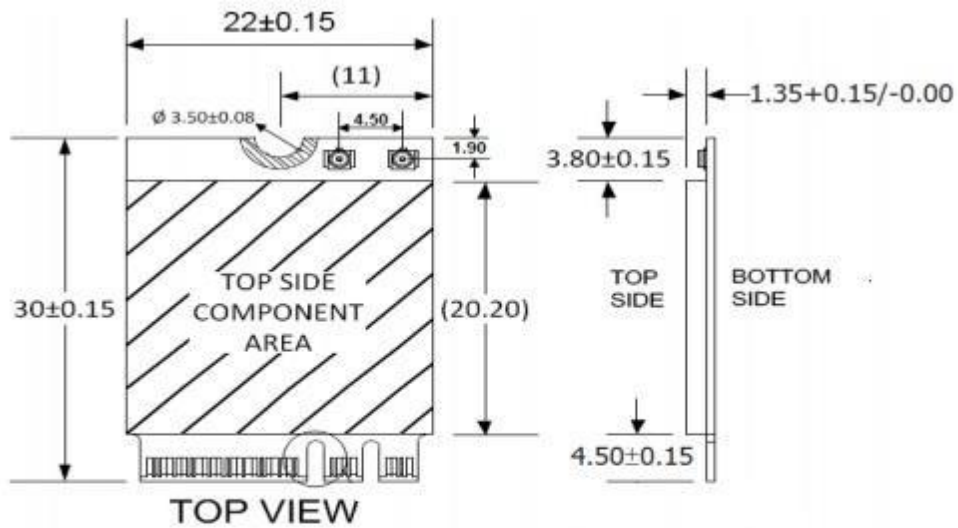
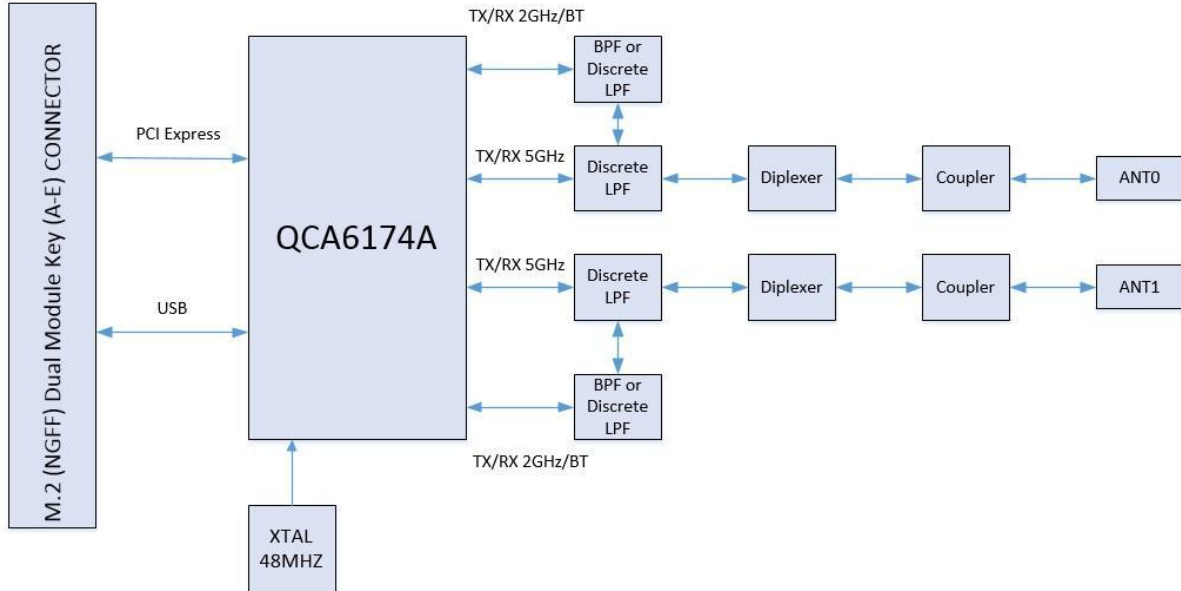
802.11a		
Data Rate	Tx \pm 2dBm	Rx Sensitivity
54Mbps	11dBm	\leq -66dBm

802.11n / 5GHz				
HT20	Data Rate	Tx \pm 2dBm (1TX)	Tx \pm 2dBm (2TX)	Rx Sensitivity
MCS7	9dBm	12dBm		\leq - 65dBm
HT40	MCS7	9dBm	12dBm	\leq - 61dBm

802.11ac				
HT80	Data Rate	Tx \pm 2dBm (1TX)	Tx \pm 2dBm (2TX)	Rx Sensitivity
MCS9	7dBm	10dBm		\leq - 56dBm

Bluetooth		
Data Rate	Tx \pm 2dBm (Class 2 Device)	Rx Sensitivity
3Mbps	$0 \leq$ Output Power \leq +4 dBm	<0.1% BER at -70dBm

Wireless/Wi-Fi and Bluetooth Module



Wireless/Wi-Fi and Bluetooth Module

Pin Assignment					
Pin#	Pin Name	Description	Pin#	Pin Name	Description
1	GND	GND	2	+3.3V	+3.3V
3	USB_D+	USB_D+	4	+3.3V	+3.3V
5	USB_D-	USB_D-	6	LED_WPAN_L (OPT)	Output and open drain active low signal. This signal is used to allow the USB module add-in card to provide status indicators via LED devices that will be provided by the system
7	GND	GND	8	No Connection	-
9	No Connection	-	10	No Connection	-
11	No Connection	-	12	No Connection	-
13	No Connection	-	14	No Connection	-
15	No Connection	-	16	BT_DISABLE_L (OPT)	These pins are reserved for definition with future revisions of this specification.
17	No Connection	-	18	GND	GND
19	No Connection	-	20	No Connection	-
21	No Connection	-	22	No Connection	-
23	No Connection	-	24	No Connection	-
25	No Connection	-	26	No Connection	-
27	No Connection	-	28	No Connection	-
29	No Connection	-	30	No Connection	-

Wireless/Wi-Fi and Bluetooth Module

31	No Connection	-	32	No Connection	-
33	GND	GND	34	No Connection	-
35	PERp0	PCI Express x1 data interface: one differential receive pair	36	No Connection	-
37	PERn0	PCI Express x1 data interface: one differential receive pair	38	Reserved	-
39	GND	GND	40	Reserved	-
41	PETp0	PCI Express x1 data interface: one differential transmit pair	42	Reserved	-
43	PETn0	PCI Express x1 data interface: one differential transmit pair	44	COEX3/LTE_ACTIVE) (OPT)	Coexistence between WiFi+BT/LTE_COEX3
45	GND	GND	46	COEX2/LTE_ACPRI (OPT)	Coexistence between WiFi+BT/LTE_COEX3
47	REFCLK+	Input signal for PCI Express differential reference clock (100 MHz)	48	COEX2/LTEE_SYNC (OPT)	Coexistence between WiFi+BT/LTE_COEX2
49	REFCLK-	Input signal for PCI Express differential reference clock (100 MHz)	50	SUSCLK(OPT)	32.768 kHz clock supply input that is provided by PCH to reduce power and cost for the module. SUSCLK will have a duty cycle that can be as low as 30% or as high as 70%.200ppm.

Wireless/Wi-Fi and Bluetooth Module

51	GND	GND	52	PERST_L	Input signal for functional reset to the card
53	CLKREQ_L	Output for reference clock request signal	54	BT_DISABLE_L (OPT)	These pins are reserved for definition with future revisions of this specification.
55	WAKE_L(OPT)	Output and open Drain active Low signal. This signal is used to request that the system return from a sleep/suspended state to service a function initiated wake event.	56	W_DISABLE_L(OPT)	Input and active low signal. This signal is used by the system to disable radio operation on add-in cards that implement radio frequency applications. When implemented, this signal requires a pull-up resistor on the card
57	GND	GND	58	No Connection	-
59	Reserved	-	60	No Connection	-
61	Reserved	-	62	No Connection	-
63	GND	GND	64	Reserved	-
65	Reserved	-	66	Reserved	-
67	Reserved	-	68	Reserved	-
69	GND	GND	70	Reserved	-
71	Reserved	-	72	+3.3V	+3.3V
73	Reserved	-	74	+3.3V	+3.3V
75	GND	GND			