



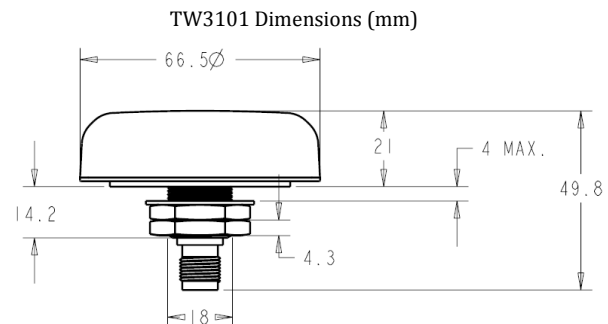
When precision matters...™

TW3101 Non Magnetic GPS L1 Antenna

The TW3101 by Tallysman Wireless is a precision grade, permanent mount GPS L1 Galileo E1 antenna with no magnetic properties, specially designed to be used in close proximity with compass based instruments.

The TW3101 features a custom high performance, dual-feed, wide band patch element. Its LNA configuration provides a LNA for each feed, a mid section high rejection SAW for the combined signal, followed by a final stage of LNA. It provides ± 10 MHz bandwidth centred on 1575.42 MHz and covers all GPS L1, Galileo E1 and SBAS (WAAS/EGNOS/MSAS) signals. It features great axial ratio over the entire frequency range (< 3 dB), excellent circular polarized signal reception, great multipath rejection and out-of-band signal rejection.

The TW3101 is housed in a non-ferrous permanent mount industrial-grade weather-proof enclosure.



Applications

- Inertial Navigation (IMU) Systems
- Compass based Systems
- Heading Reference Systems
- Military & Security
- Precision Tracking & Navigation
- Machine Control Systems

Features

- Non magnetic composition
- Great axial ratio: 1 dB typ., 3 dB max
- Low noise LNA: 1 dB
- High rejection SAW filter
- High gain: 28 dB typ.
- Low current: 14 mA typ.
- ESD circuit protection: 15 KV
- Weather proof housing: IP67

Benefits

- No compass interference
- Excellent multipath rejection
- Increase system accuracy
- Excellent signal to noise ratio
- Great out of band signal rejection
- Ideal for harsh environments
- RoHS compliant



When precision matters...™

TW3101 Non Magnetic GPS L1 Antenna

Specifications

Vcc = 3V, over full bandwidth, T=25°C

Antenna

Architecture	Dual, Quadrature Feeds
Antenna Element Gain (100mm ground plane)	4.25 dBic at 90°
Axial Ratio (over full bandwidth)	1dB typ., 3 dB max

Electrical

Architecture	One LNA per feed line, mid section SAW filter
Frequency Bandwidth	1575 MHz ± 10 MHz
Polarization	RHCP
Gain	28 dB min. (at 1575.42 MHz)
Out-of-Band Rejection	<1560 MHz >42 dB
	>1600 MHz >31 dB
	>1620 MHz >45 dB
VSWR (at LNA input)	<1.5:1
Noise Figure	1 dB typ.
Supply Voltage Range	+2.5 to 16 VDC nominal
Supply Current	14 mA typ., 20mA max
ESD Circuit Protection	15 KV air discharge

Mechanicals & Environmental

Properties	Non Magnetic
Mechanical Size	66.5 mm dia. x 21mm H
Operating Temp. Range	-40 to +85 °C
Enclosure	Radome: ASA Plastic, Base: Zamak White Metal
Weight	150 g
Attachment Method	18mm/M18 mast or 19mm bracket mount
Environmental	IP67 and RoHS compliant
Shock	Vertical axis: 50 G, other axes: 30 G
Vibration	3 axis, sweep = 15 min, 10 to 200 Hz sweep: 3 G
Warranty	One year – parts and labour

Ordering Information

TW3101 – Non Magnetic GPS L1 Antenna	32-3101-xx-yy
Connector: xx = 00 TNC	xx = 01 N Type (add \$2 per unit)
Radome Colour yy = 00 Dark grey conical	yy = 01 White conical
yy = 10 Dark grey low profile	yy = 11 White low profile

Please contact Tallysman Wireless for further information

Tallysman Wireless Inc

106 Schneider Road, Unit 3
Ottawa ON K2K 1Y2 Canada
Tel 613 591 3131
Fax 613 591 3121
sales@tallysman.com

The information provided herein is intended as a guide only and is subject to change without notice. This document is not to be regarded as a guarantee of performance. Tallysman Wireless Inc. hereby disclaims any or all warranties and liabilities of any kind. © 2011 Tallysman Wireless Inc. All rights reserved.

Rev 2.0