

MEA-DSRC-01P

SMALL I-BAR DSRC ANTENNA

Description

The MEA-DSRC-01P is a small, external mount DSRC antenna for 5850 - 5950MHz. This DSRC (Dedicated Short Range Communications) antenna was designed for vehicle-to-vehicle communication for active safety control. The back side of the antenna contains a foam adhesive for easy, reliable mounting. The antenna is waterproof and rated IPX7. It is available with an SMA, FAKRA or customer specified connector.

Electrical Specifications

Parameter	Design Specifications
Frequency Range (MHz)	5850 - 5950 MHz
VSWR	2.0 : 1 Max
Impedance	50 Ohm
Peak Gain	5.0 dBi @ 2300 ~ 2700 MHz
Average Efficiency	5850 ~ 5950 MHz ≥ 50%

Mechanical Specifications

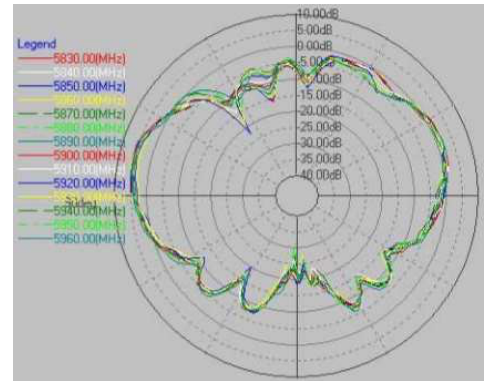
Parameter	Design Specifications
Antenna Dimension (mm ³)	105.1 x 30.1 x 6.7 mm ³
Mounting Function	Foam Adhesive
Operating Temp.	-40 °C ~ +85 °C
Housing Material & Color	PC+ABS & Black
Cable	RG-174
Cable Length	30 cm
Connector	SMA / FAKRA or customer specified
Waterproof	IPX7



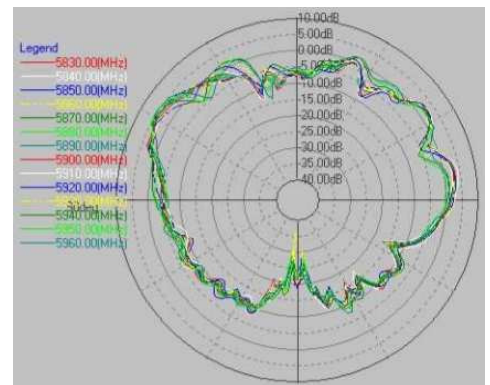
Applications

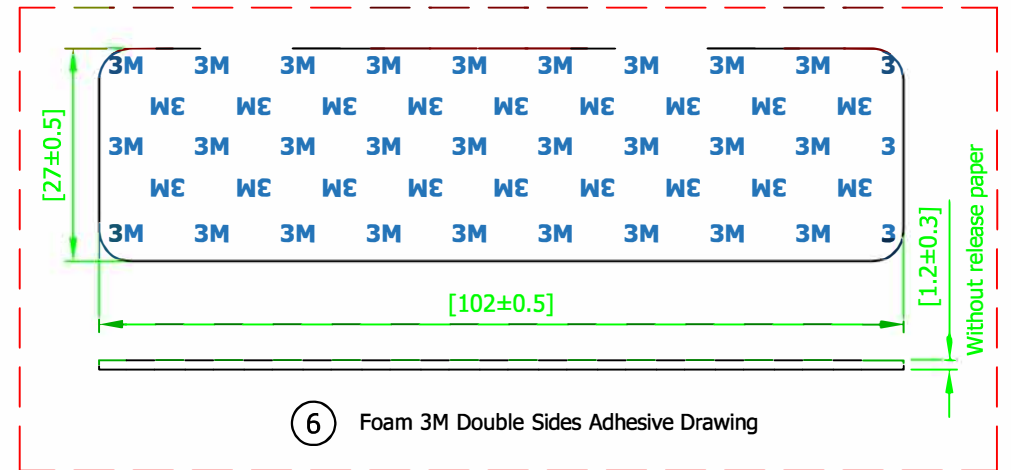
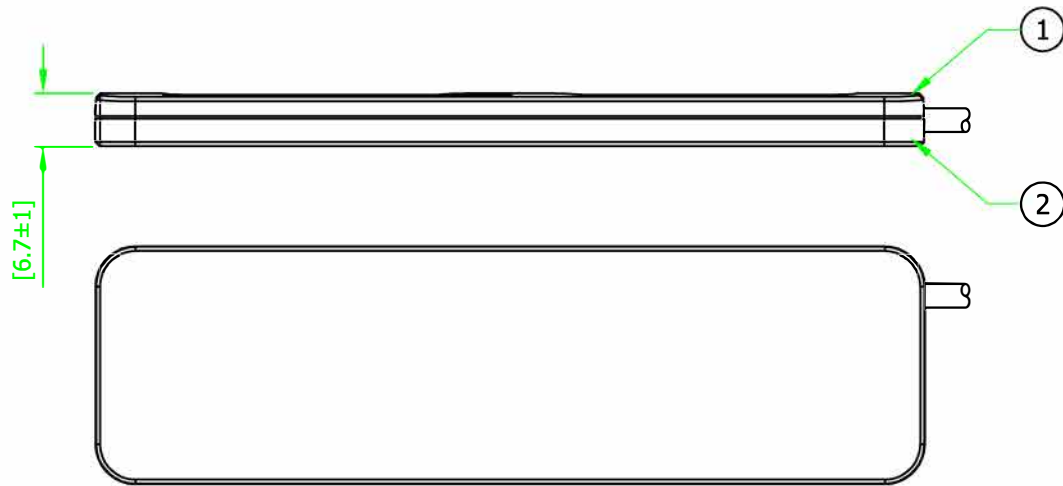
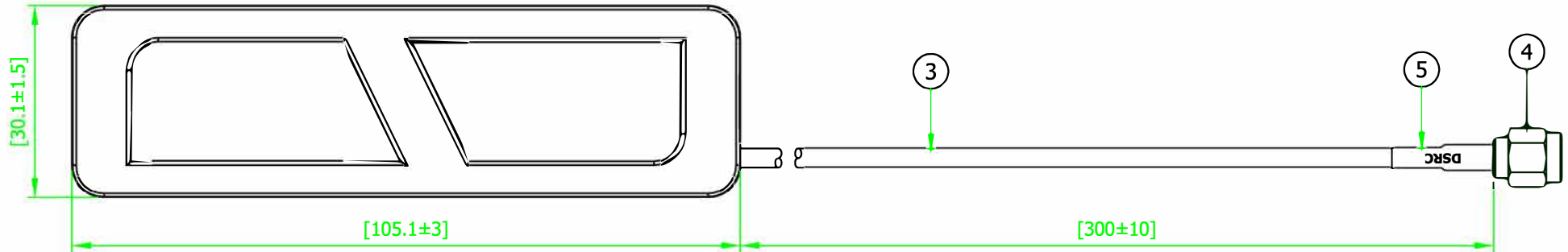
- V2V (Vehicle-to-vehicle)
- V2X (Vehicle-to-Other)

X-Z Pattern



Y-Z Pattern





DSRC Antenna:
 Frequency:5850~5950 MHz.
 Waterproof level: IPX7

Note: Critical To Function Dimension Are Mark With [X...]

6	Black Foam Adhesive	3M 4612		White Liner
5	H.S Tube(RG-174)	Heat Shrink Tube		Red on white
4	Connector	SMA(M) ST	1	Gold Plated
3	Cable	RG-174 Cable	1	Black
2	Antenna Housing Bottom	PC+ABS	1	Black
1	Antenna Housing Top	PC+ABS	1	Black
NO	DESCRIPTION		Q'TY	REMARK

CUSTOMER'S SINGATURE	XX	±5.0	APPROVED	CUSTOMER:	
	X	±2.0		PART NO :	
	.X	±1.0	CHECKED	PARTNAME : Small I-Bar DSRC Antenna	
	.XX	±0.5		W.Y P/NO :	
	XXX	±0.1	DRAWING	REV	:
			A	mm	SHEET : 1/1

