

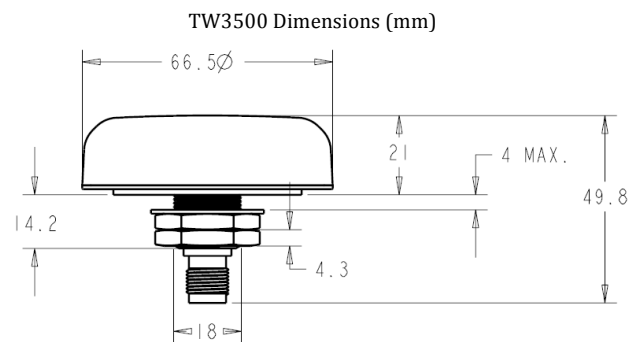


TW3500 Permanent Mount Globalstar™ STU Antenna

The TW3500 by Tallysman Wireless is a professional grade, permanent mount, passive left hand circularly polarised antenna for the 1610 to 1620 MHz frequency band, specifically designed to maximise the performance of the Globalstar™ STU (Simplex Transmit Unit) Modem.

The TW3500 features a high performance dual-feed patch element that provides great axial ratio (3 dB max) over the entire Globalstar™ frequency band, thus signals at the band edges remain truly circular, unlike the response of single feed antennas.

The TW3500 is housed in a permanent mount industrial-grade weather-proof enclosure and comes with a TNC Jack (female) connector, allowing for the Globalstar™ modem to be mounted out of the elements and reach, and still providing excellent Globalstar™ signal coverage.



Applications

- Simplex Transmit Unit (STU) Applications
- Sea & Land Container Tracking
- Military & Security
- Fleet Management & Asset Tracking
- Marine & Avionics Systems
- Law Enforcement & Public Safety

Features

- Custom high gain, 4.25 dBic dual-feed patch
- Great axial ratio, 3 dB over full bandwidth
- 15 KV ESD circuit protection
- IP67 weather proof housing
- Robust Industrial grade enclosure
- Surface, bracket or mast mount

Benefits

- Excellent circular polarized signal transmission
- Industrial temperature range
- Rugged Design
- Ideal for harsh environments
- RoHS compliant
- Remote STU antenna



TW3500 Permanent Mount Globalstar™ STU Antenna

Specifications

Vcc = 3V, over full bandwidth, T=25°C

Antenna

Architecture	Dual, quadrature feeds
Antenna Gain (100mm ground plane)	4.25 dBic
Axial Ratio (over full bandwidth)	≤3 dB

Electrical

Architecture	Hybrid 90° phase splitter
Frequency Bandwidth	1615 MHz ±10 MHz
Polarization	LHCP
Gain flatness	≤1 dB, from 1610 to 1620 MHz
VSWR (at antenna)	<1.5:1
Return Loss (10 dB bandwidth)	<-20MHz
ESD Circuit protection	15 KV air discharge

Mechanicals & Environmental

Mechanical Size	66.5 mm dia. x 21 mm H
Connectors	TNC Jack (female)
Cable (Option)	Custom cable assembly available.
Operating Temp. Range	-40 to +85 °C
Enclosure	Radome: ASA Plastic, Base: Zamak White Metal
Weight	150 g
Attachment Method	Permanent 3/4" (19mm) through hole mount
Environmental	IP67 and RoHS compliant
Shock	Vertical axis: 50 G, other axes: 30 G
Vibration	3 axis, sweep = 15 min, 10 to 200 Hz sweep: 3 G
Warranty	One year, parts and labour

Ordering Information

TW3500 – Globalstar™ antenna, TNC Female	32-3500-0
--	-----------

Please contact Tallysman Wireless for additional information

Tallysman Wireless Inc

106 Schneider Road, Unit 3
Ottawa ON K2K 1Y2 Canada
Tel 613 591 3131
Fax 613 591 3121
sales@tallysman.com

The information provided herein is intended as a guide only and is subject to change without notice. This document is not to be regarded as a guarantee of performance. Tallysman Wireless Inc. hereby disclaims any or all warranties and liabilities of any kind. © 2011 Tallysman Wireless Inc. All rights reserved.