

GPS/GNSS Antenna Module



1. Product Information

1.1 Product Name: YIC51513GM-37

1.2 Product Description:

YIC51513GM-37 is a compact, high performance, and low power consumption GPS/GNSS Antenna Module.

It uses the chipset which can track up to 66 channels at a time and perform fast TTFF in weak signal environments.

YIC51513GM-37 is suitable for the following applications:

- Automotive navigation
- Personal positioning
- Fleet management
- Mobile phone navigation
- Marine navigation

1.3 Product Features:

- High performance and low power consumption GPS Chipset
- Very high sensitivity
- Extremely fast TTFF (Time To First Fix) at low signal level
- Two serial ports
- Built-in LNA
- Compact size suitable for space-sensitive application
- Support NMEA 0183 and ublox binary protocol

1.4 Product Specifications

GPS Performance

GPS Receiver		
Chip	MT3337(ROM)	
Frequency	L1 1575.42MHz, C/A code	
Channels	Support 66 channels	
Update rate	1Hz default, up to 10Hz	
Sensitivity	Tracking	-163dBm, up to -165dBm (with external LNA)
	Cold Start	-143.5dBm, up to -148dBm (with external LNA)
Acquisition Time	Hot start (Open Sky)	< 1s (typical)
	Hot start (Indoor)	< 30s
	Cold Start (Open Sky)	32s (typical) without AGPS
		< 15s (typical) with AGPS (hybrid ephemeris prediction)
Position Accuracy	Autonomous	3m (2D RMS)
	SBAS	2.5m (depends on accuracy of correction data)
Max. Altitude	< 18,000 m	
Max. Velocity	< 515 m/s	
Protocol Support	NMEA 0183	9600 bps, 8 data bits, no parity, 1 stop bits (default)
		1Hz: GGA, GLL, GSA, GSV, RMC, VTG
Physical Characteristic		
Type	5pin stamp holes	
Dimensions	15.0.0mm * 13.0 mm * 6.8mm ±0.2mm	

1.5 DC Electrical characteristics

Parameter	Symbol	Conditions	Min.	Typ.	Max.	Units
Input Voltage	VCC		3.0	3.3	4.3	V
Input Backup Battery Voltage	V_BCKP		3.0		3.6	V
Supply Current	Iss	VCC = 3.3V, w/o active antenna, Peak			150 ⁽¹⁾	mA
		Acquisition		35		mA
		Tracking		30 ⁽²⁾		mA
		Standby		350		uA
Backup Battery Current	Ibat	VCC = 0V		7		uA
High Level Input Voltage	VIH		2.0		3.6	V
Low Level Input Voltage	VIL		-0.3		0.8	V
High Level Input Current	IIH	no pull-up or down	-1		1	uA
Low Level Input Current	IIL	no pull-up or down	-1		1	uA
High Level Output Voltage	VOH		2.4		3.3	V
Low Level Output Voltage	VOL				0.4	V
High Level Output Current	IOH			2		mA
Low Level Output Current	IOL			2		mA

Note 1: This happens when downloading AGPS data to Module.

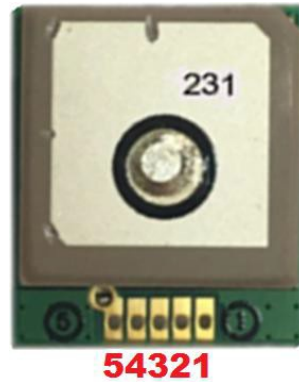
Note 2: Measured when position fix (1Hz) is available, input voltage is 3.3V and the function of self-generated ephemeris prediction is inactive.

1.6 Temperature characteristics

Parameter	Symbol	Min.	Typ.	Max.	Units
Operating Temperature	Topr	-40	25	85	°C
Storage Temperature	Tstg	-40	25	85	°C

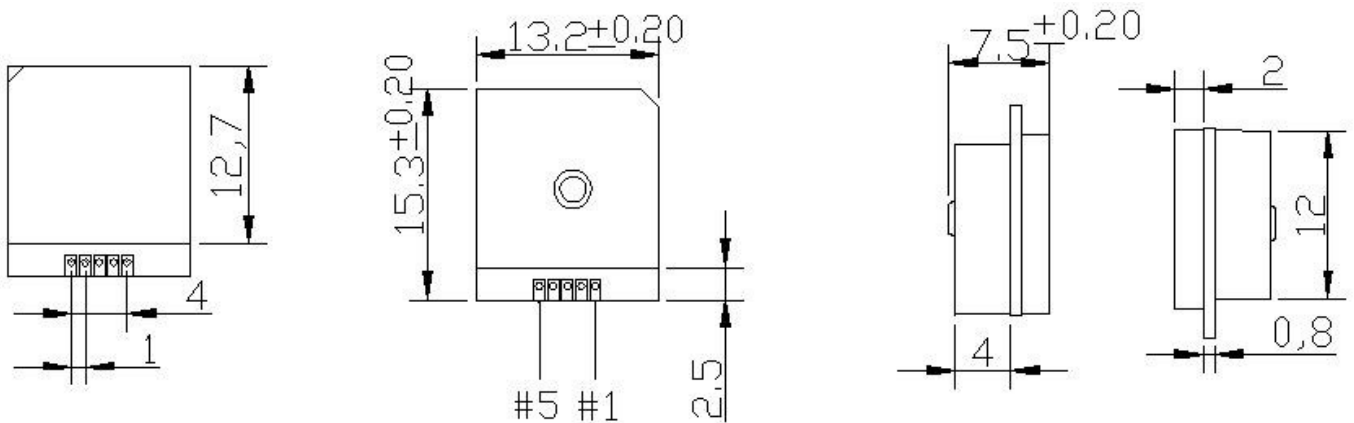
2. Technical Information

2.1 Module Pin Assignment



Pin NO.	Pin Name	I/O	Remark
1.	VBAT	I	RTC Battery Input
2.	TXD	O	UART Serial Data Output
3.	RXD	O	UART Serial Data Input
4.	VCC	I	Module Power Supply, Module Power Supply
5	GND	G	Ground

2.2 Dimensions



Front view

Rear view

Profile view

3. NMEA 0183 Protocol

The NMEA protocol is an ASCII-based protocol, Records start with a \$ and with carriage return/line feed. GPS specific messages all start with \$GPxxx where xxx is a three-letter identifier of the message data that follows. NMEA messages have a checksum, which allows detection of corrupted data transfers.

YIC51513GMGB-33 modules support the following NMEA-0183 messages: GGA, GLL, GSA, GSV, RMC and VTG.

Table3. 1: NMEA-0183 Output Messages

NMEA Record	DESCRIPTION
GGA	Global positioning system fixed data
GLL	Geographic position—latitude/longitude
GSA	GNSS DOP and active satellites
GSV	GNSS satellites in view
RMC	Recommended minimum specific GNSS data
VTG	Course over ground and ground speed

GGA-Global Positioning System Fixed Data

Table3. 2 contains the values of the following example:

\$GPGGA,183015.000,2503.7123,N,12138.7446,E,2,16,0.68,123.2,M,15.3,M,0000,0000*66

Table3. 2: GGA Data Format

Name	Example	Units	Description
Message ID	\$GPGGA		GGA protocol header
UTC Position	183015.000		hhmmss.sss
Latitude	2503.7123		ddmm.mmmm
N/S indicator	N		N=north or S=south
Longitude	12138.7446		dddmm.mmmm
E/W Indicator	E		E=east or W=west
Position Fix Indicator	2		See Table 2-1
Satellites Used	16		Range 0 to 33
HDOP	0.68		Horizontal Dilution of Precision
MSL Altitude	123.2	meters	
Units	M	meters	
Geoids Separation	15.3	meters	
Units	M	meters	
Age of Diff. Corr.	0000	second	Null fields when DGPS is not Used
Diff. Ref. Station ID	0000		
Checksum	*66		
<CR><LF>			End of message termination

Table3. 2.1: Position Fix Indicators

Value	Description
0	Fix not available or invalid
1	GPS SPS Mode, fix valid
2	Differential GPS, SPS Mode, fix valid
3-5	Not supported
6	Dead Reckoning Mode, fix valid

GLL-Geographic Position – Latitude/Longitude

Table3. 3 contains the values of the following example:

\$GPGLL , 3723.24755, N,12158.34161,W,161229.487, A,D*2C.

Table 3.3: GLL Data Format

Name	Example	Units	Description
Message ID	\$GPGLL		GLL protocol header
Latitude	3723.24755		ddmm.mmmmm
N/S Indicator	N		N=north or S=south
Longitude	12158.34161		dddmm.mmmmm
E/W Indicator	W		E=east or W=west
UTC Position	161229.487		hhmmss.sss
Status	A		A=data valid or V=data not valid
Mode	D		A=autonomous, D=DGPS, E=DR, N=Data not valid,R=Coarse Position, S=Simulator
Checksum	*2C		
<CR><LF>			End of message termination

GSA-GNSS DOP and Active Satellites

Table3. 4 contains the values of the following example:

```
$GNGSA,A,3,18,193,21,09,12,22,27,15,25,14,,1.44,0.68,1.27*2F
$GNGSA,A,3,76,72,77,75,66,65,,,,,1.44,0.68,1.27*12
```

Table3. 4: GSA Data Format

Name	Example	Units	Description
Message ID	\$GNGSA		GSA protocol header
Mode 1	A		See Table 4-2
Mode 2	3		See Table 4-1
ID of satellite used	18		Sv on Channel 1
ID of satellite used	193		Sv on Channel 2
...
ID of satellite used			Sv on Channel 12
PDOP	1.44		Position Dilution of Precision
HDOP	0.68		Horizontal Dilution of Precision
VDOP	1.27		Vertical Dilution of Precision
Checksum	*2F		
<CR><LF>			End of message termination

Table3. 4.1: Mode 1

Value	Description
1	Fix not available
2	2D
3	3D

Table3. 4.2: Mode 2

Value	Description
M	Manual-forced to operate in 2D or 3D mode
A	Automatic-allowed to automatically switch 2D/3D

GSV-GNSS Satellites in View

Table3. 5 contains the values of the following example:

\$GPGSV,3,1,11,18,67,344,48,09,55,031,50,42,54,142,40,193,47,174,45*4D

\$GPGSV,3,2,11,21,44,219,46,27,39,035,48,12,34,131,44,15,30,057,46*76

\$GPGSV,3,3,11,22,27,319,47,14,22,285,42,25,19,171,40*44

\$GLGSV,2,1,07,76,71,201,44,65,57,041,40,75,48,028,39,72,27,108,39*68

\$GLGSV,2,2,07,66,25,333,43,77,17,207,37,81,02,280,29*5C

Table3. 5: GSV Data Format

Name	Example	Units	Description
Message ID	\$GPGSV		GSV protocol header (GPGSV and GLGSV)
Number of Message ⁽¹⁾	3		Range 1 to 6
Message Number ⁽¹⁾	1		Range 1 to 6
Satellites in View	11		
Satellite ID	18		Channel 1(Range 1 to 196)
Elevation	67	degrees	Channel 1(Range 0 to 90)
Azinmuth	344	degrees	Channel 1(Range 0 to 359)
SNR(C/NO)	48	dBHz	Channel 1(Range 0 to 99,null when not tracking)
...			...
Satellite ID	09		Channel 4(Range 1 to 196)
Elevation	55	degrees	Channel 4(Range 0 to 90)
Azimuth	031	degrees	Channel 4(Range 0 to 359)
SNR(C/NO)	50	dBHz	Channel 4(Range 0 to 99, null when not tracking)
Checksum	*4D		
<CR><LF>			End of message termination

Note1: Depending on the number of satellites tracked multiple messages of GSV data may berequired

RMC-Recommended Minimum Specific GNSS Data

Table 3.6 contains the values of the following example:

\$GNRMC,183015.000,A,2503.7123,N,12138.7446,E,0.01,34.92,270812,,D*43

Table3. 6: RMC Data Format

Name	Example	Units	Description
Message ID	\$GNRMC		RMC protocol header (GNRMC or GPRMC)
UTS Position	183015.000		hhmmss.sss
Status	A		A=data valid or V=data not valid
Latitude	2503.7123		ddmm.mmmm
N/S Indicator	N		N=north or S=south
Longitude	12138.7446		dddmm.mmmm
E/W Indicator	E		E=east or W=west
Speed Over Ground	0.01	Knots	True
Course OverGround	34.92	Degrees	
Date	270812		ddmmyy
Magnetic variation		Degrees	
Variation sense			E=east or W=west (Not shown)
Mode	D		A=autonomous, D=DGPS, E=DR, N=Data not valid,R=Coarse Position, S=Simulator
Checksum	*43		
<CR><LF>			End of message termination

VTG-Course Over Ground and Ground Speed

Table3.7 contains the values of the following example:

\$GPVTG,34.92,T,,M,0.01,N,0.02,K,D*07

Table3 . 7: VTG Data Format

Name	Example	Units	Description
Message ID	\$GPVTG		VTG protocol header
Course	34.92	Degrees	Measured heading
Reference	T		True
Course		Degrees	Measured heading
Reference	M		Magnetic
Speed	0.01	Knots	Measured horizontal speed
Units	N		Knots
Speed	0.02	Km/hr	Measured horizontal speed
Units	K		Kilometer per hour
Mode	D		A=autonomous, D=DGPS, E=DR, N=Data not valid,R=Coarse Position, S=Simulator
Checksum	*07		
<CR><LF>			End of message termination